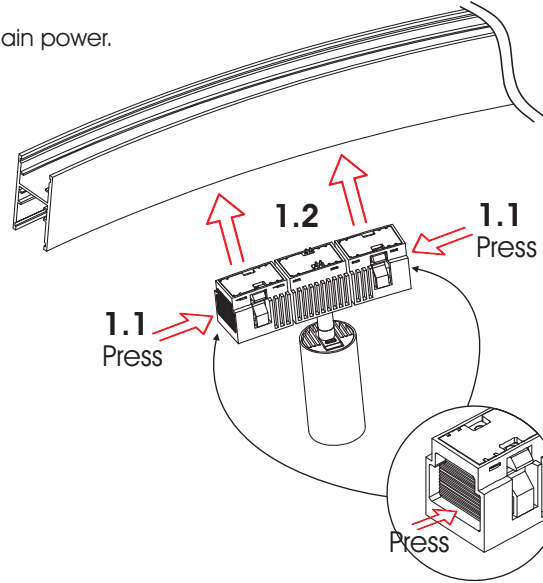
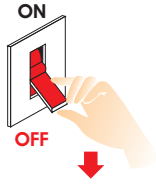


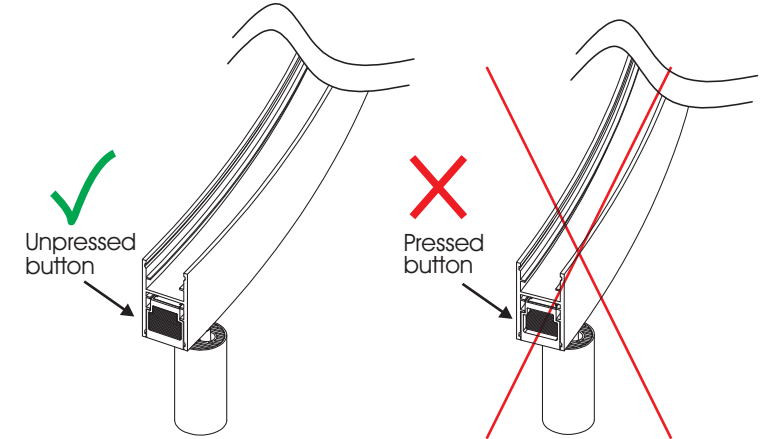
1

⚠ Attention
Switch off the main power.

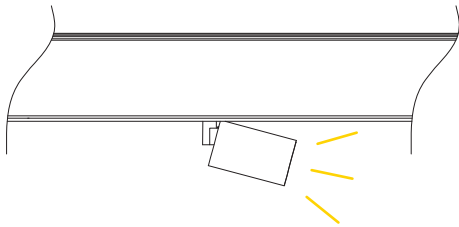
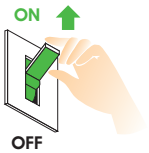


2

Be sure that the click button is not pressed



3



⚠ Attention
To relocate the luminaire you must uninstall the module first. (step.4) Relocating without uninstalling might damage the contact bins of the module.

4

To uninstall make sure you first press the button

